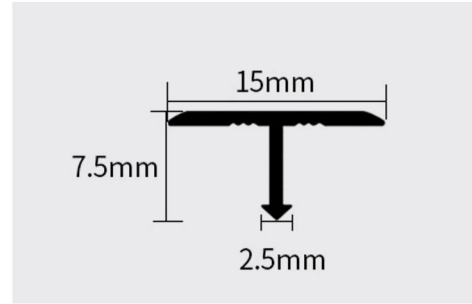




# Hero Metal

• Hight quality • Excellent service • Remarkable technique • Outstanding team.



## T Molding Trim For Tile

T trim molding for tile T mould trims profile is a type of trim used to finish off the edges of surfaces like countertops, flooring, and furniture.

Send Inquiry Get Free Sample



### Customized Service OEM&ODM



[www.tiletrim.com](http://www.tiletrim.com)

[info@herometal.net](mailto:info@herometal.net)



Website

VR